



NFL 2 Minute Drill ASSEMBLY GUIDE

Production Game
Rev C

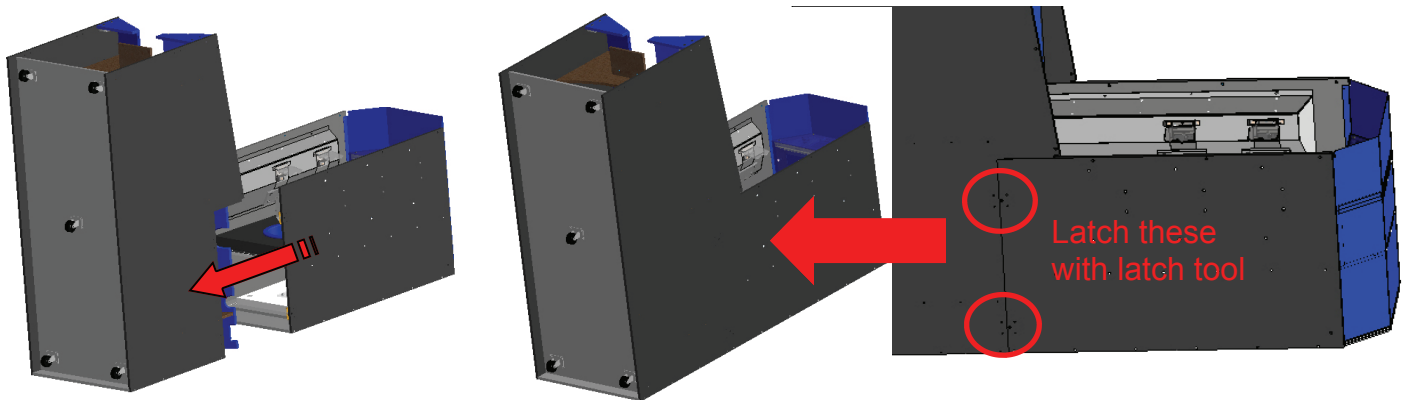
2/8/2008

Overview:

Please review assembly instructions before beginning assembly. It will be necessary to have at least two people to assemble this game.

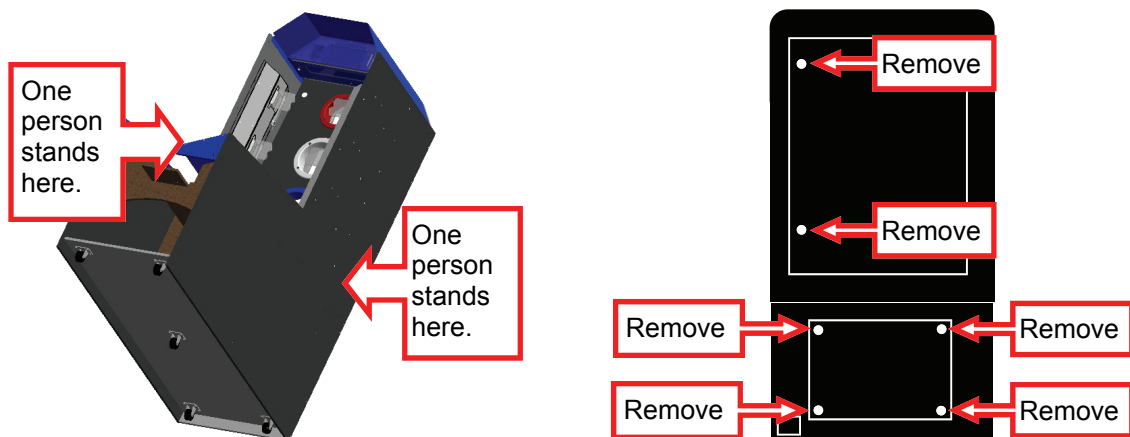
Step 1:

With two people position the upper rear and conveyor base as shown in below. Slide the two halves together and latch the halves with the provided tool found in the cash box. Be careful not to catch any harness or connectors while sliding the two halves together.



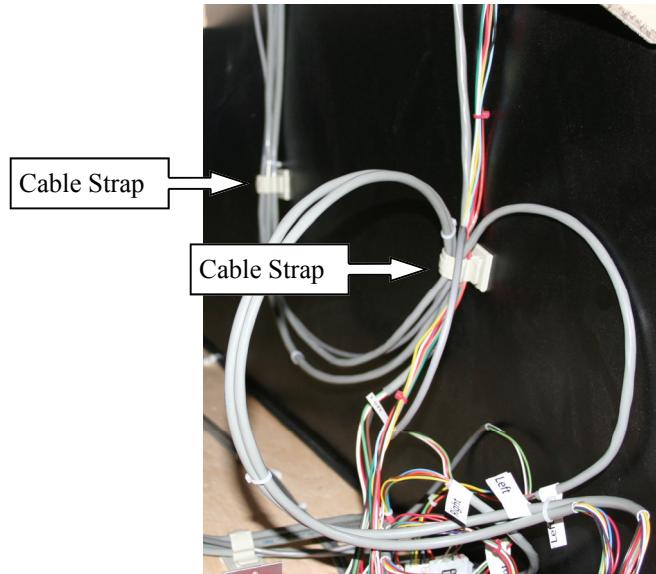
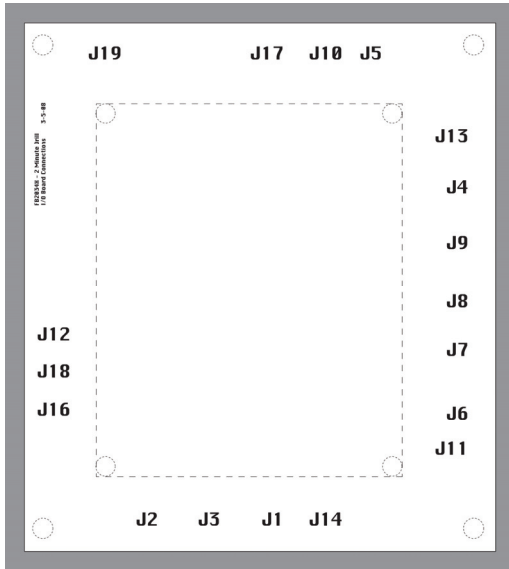
Step 2:

Two people are required to lift the two halves to their up right position, see below. Remove the lower back panel by remove the four mounting bolts and open the upper rear section to access the wire harnesses. See drawing below for the location of the bolts.



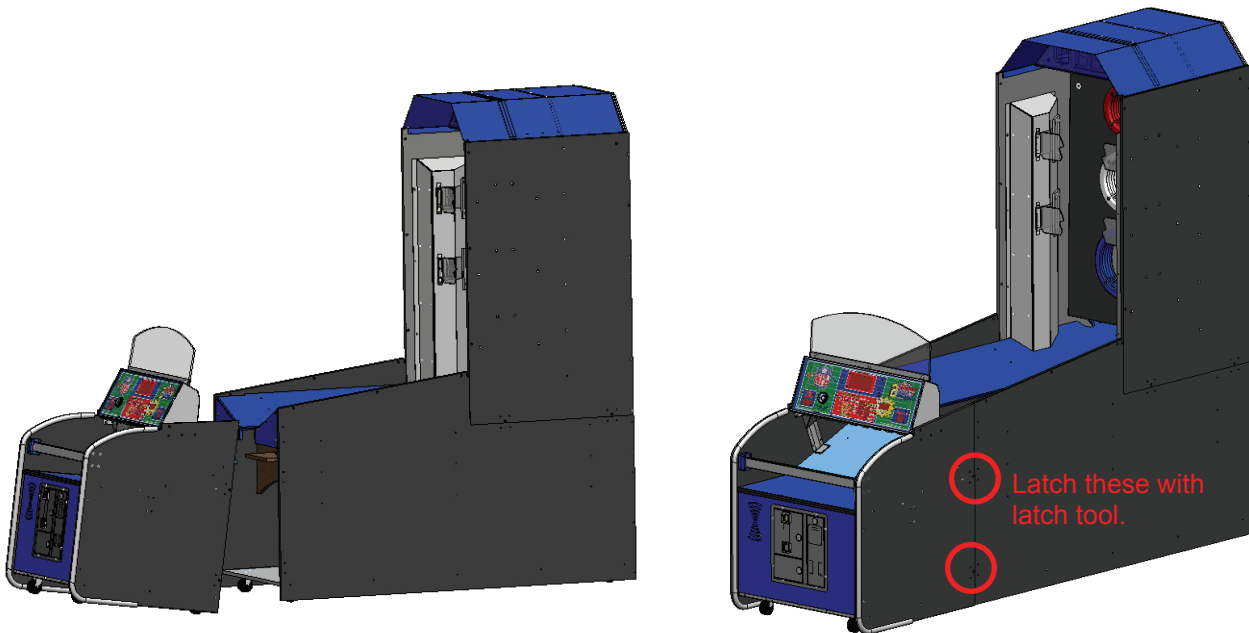
Step 3:

Connect the upper rear section harnesses to the main board. All wire connectors are labeled and connect to the same labeled connections found along the side of the main board. See example of label below. Attach the excess cabling into the two cable straps mounted on the right side of the cabinet. See the picture below.



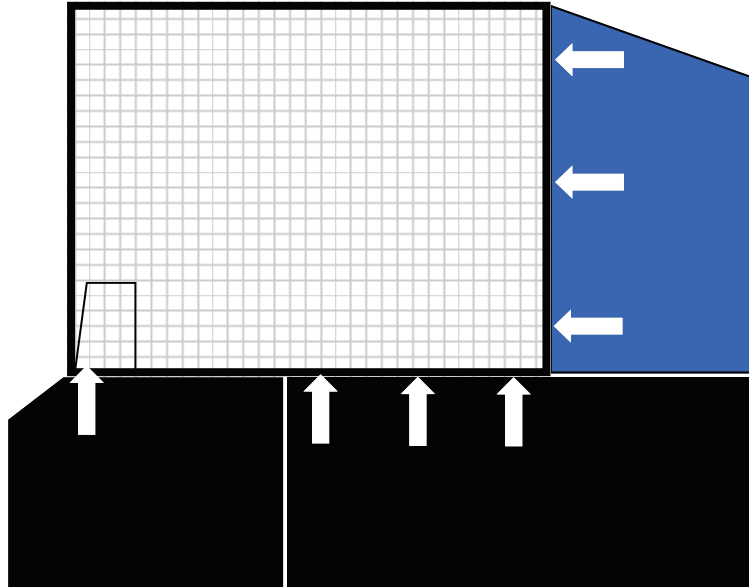
Step 4:

Position the front half so you can attach the wire harnesses together. Angle the front as shown below and push the front half forward until flush with other cabinet. Be careful not to pinch any harnesses and latch with supplied latch tool.



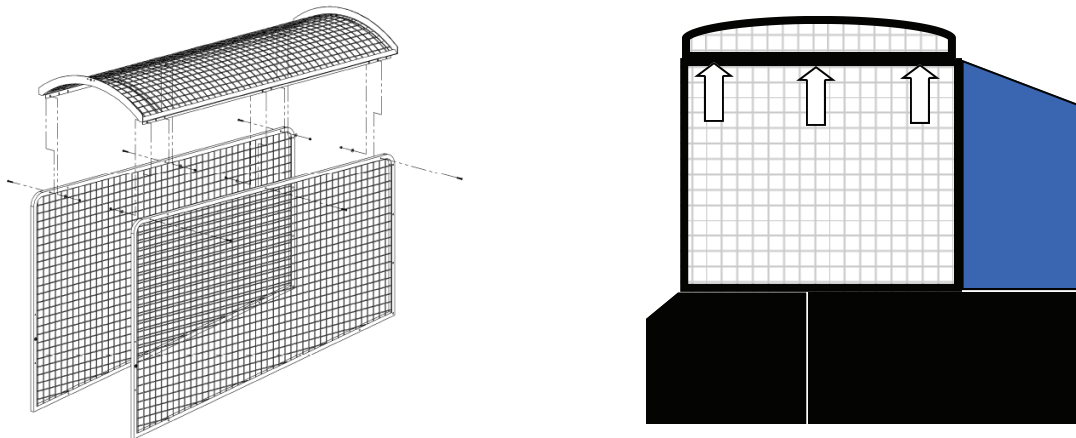
Step 5:

Loosen the 3 hat nuts mounting the control panel shown on step 7 before positioning the cages. Position the side cages onto the cabinet and install (7) 1/4-20 bolts (use 5/32 Allen) and (7) 1/4-20 inserts (use 3/16 Allen) as shown in picture 4a and arrow drawing below. You will have to climb into the cabinet to install the side cages. The cages will slide down and back. Be sure to tighten the cage bolts before proceeding.



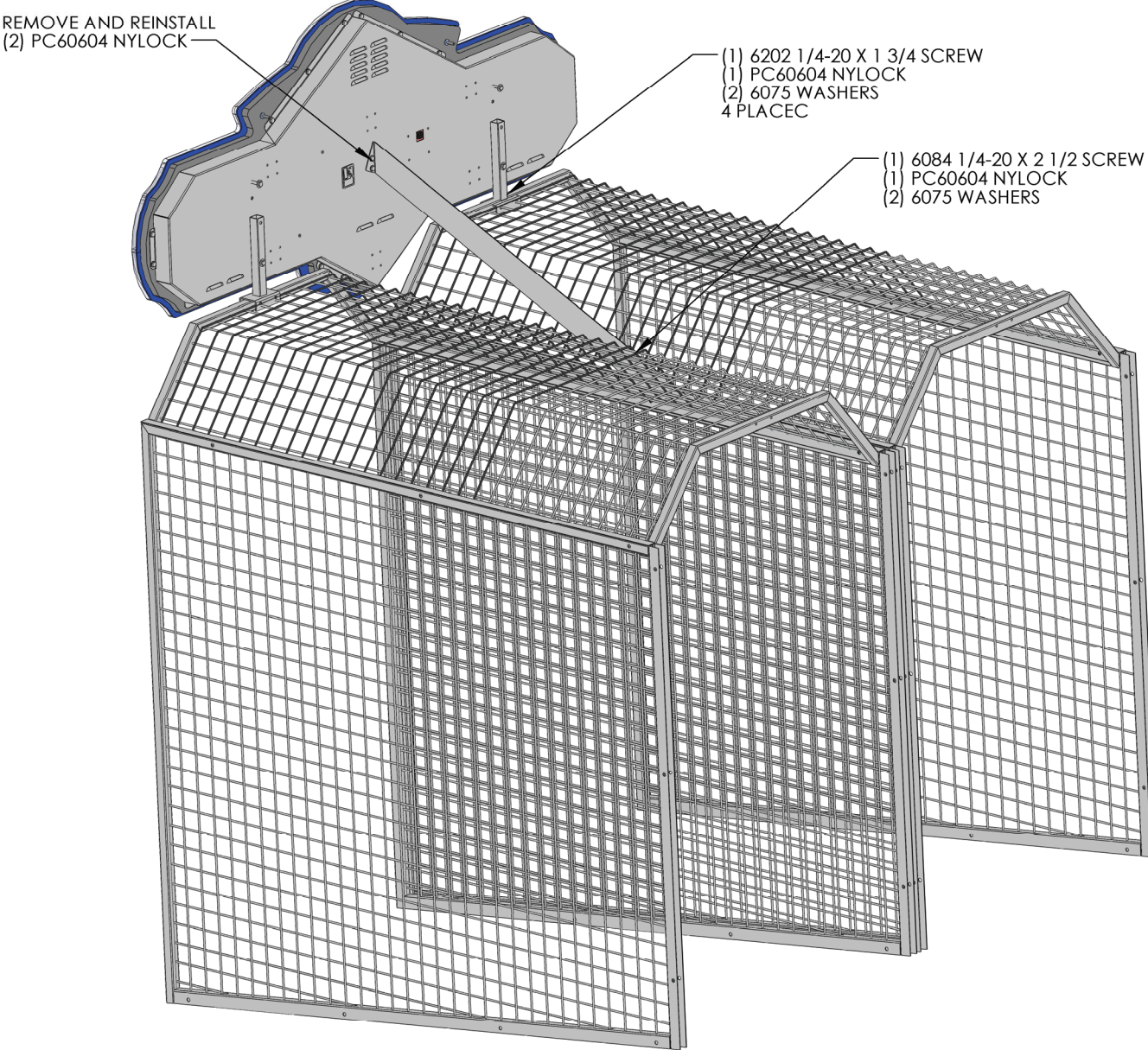
Step 6:

Install the top cage being careful not to bend the sides out as the top will be unstable. Attach using (6) 1/4-20 bolts (use the 5/32 Allen) and (6) 1/4-20 inserts (use the 3/4 Allen), three per side. See picture 5a and diagram for bolt locations.



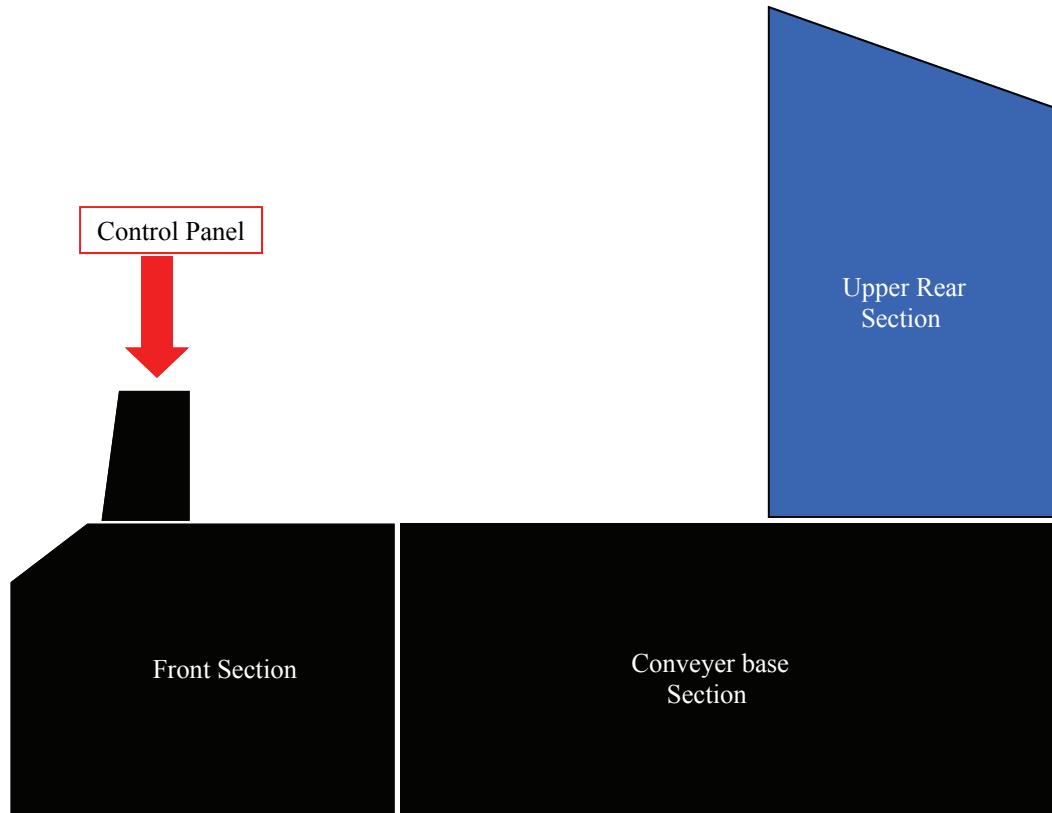
Marquee Install

The marquee can be installed for two or more games. It is recommended to place the marquee as close to the center of the games as possible. See diagram below for location of mounting bolts. Game software installed must be version 3.0 or greater for marquee to communicate with game.



Section Diagram

The game is manufactured in three sections. Here is a diagram with the sections labeled for identification during assembly.



Spares package includes the following:

Ice Part	Description	Qty
3052	Black hole plug	8
6001B	Allen wrench 3/16"	1
6105	Latch Tool	1
6110	Joint connector 1/4-20 Thread	20
6212	1/4 x 3/4 Flat washer black	20
CG2027	Power cord 9' 10"	1
FB9001	Service Manual	1
PC60601	1/4-20 x 5/8 BHCS (black)	12
PC60601A	Allen wrench 5/32"	1
PC60622	1/4-20 x 1 BSHCS BLK	6
6281	1/4-20 x 1 1/2 BSHCS	2
	Programming Insert	1
	Assembly insert	1
	Schematic insert	1